

USER MANUAL

Bedienungsanleitung

Instrukcja obsługi

Návod k použití

Manuel d'utilisation

Istruzioni per l'uso

Manual de instrucciones

Használati útmutató Brugsanvisning

Käyttöohje

Gebruiksaanwijzing

Bruksanvisning

Instruções de utilização

Používateľská príručka

Ръководство за употреба

Οδηγίες χρήσης

Upute za uporabu

Naudojimo instrukcija

Manual de utilizare

Navodila za uporabo

STAINLESS STEEL DISH CABINET



DE	Produktname	Edelstahl geschirrschrank
EN	Product name	Stainless steel dish cabinet
PL	Nazwa produktu	Szafa ze stali nierdzewnej na naczynia
CZ	Název výrobku	Nerezová skříň na nádoby
FR	Nom du produit	Armoire à vaisselle en acier inoxydable
IT	Nome del prodotto	Armadio per stoviglie in acciaio inossidabile
ES	Nombre del producto	Armario para vajilla de acero inoxidable
HU	Termék neve	Rozsdamentetlen acél edényszekrény
DA	Produktnavn	Rustfrit stål opbevaringskab til service
FI	Tuotteen nimi	Ruostumaton teräs astiakaappi
NL	Productnaam	RVS servieskast
NO	Produktnavn	Rustfritt stål serviceskap
SE	Produktnamn	Rostfritt stål serveringsskåp
PT	Nome do produto	Armário para louças em aço inoxidável
SK	Názov produktu	Nerezová skriňa na riad
BG	Име на продукта	Неръждаема стомана шкаф за съдове
EL	Όνομα προϊόντος	Ντουλάπι από ανοξείδωτο ατσάλι για πιάτα
HR	Naziv proizvoda	Ormar za posuđe od nehrđajućeg čelika
LT	Produkto pavadinimas	Nerūdijančio plieno indų spinta
RO	Numele produsului	Dulap pentru veselă din oțel inoxidabil
SL	Ime izdelka	Omara za posodo iz nerjavnega jekla
DE Modell EN Product model PL Model produktu CZ Model výrobku FR Modèle IT Modello ES Modelo HU Modell DA Model FI Tuotteen malli NL Productmodel NO Produktmodell SE Produktmodell PT Modelo do produto SK Model BG Модел на продукт EL Μοντέλο προϊόντος HR Model proizvoda LT : Gaminio modelis RO : Model de produs SL : Model izdelka		RCDC-60S RCDC-60
DE Hersteller EN Manufacturer PL Producent CZ Výrobce FR Fabricant IT Produttore ES Fabricante HU Termelő DA Producent FI Valmistaja NL Producent NO Produsent SE Tillverkare PT Fabricante SK Výrobca BG Производител EL Κατασκευαστής HR Proizvođač LT Gamintojas RO Producător SL Proizvajalec		expondo Polska sp. z o.o. sp. k.
DE Anschrift des Herstellers EN Manufacturer Address PL Adres producenta CZ Adresa výrobce FR Adresse du fabricant IT Indirizzo del produttore ES Dirección del fabricante HU A gyártó címe DA Producentens adresse FI Valmistajan osoite NL Adres producent NO Produsentens adresse SE Tillverkarens adress PT Endereço do fabricante SK Adresa výrobci BG Адрес на производителя EL : Διεύθυνση κατασκευαστή HR Adresa proizvođača LT Gamintojo adresas RO Adresa producătorului SL Naslov proizvajalca		ul. Nowy Kisielin – Innowacyjna 7, 66-002 Zielona Góra Poland, EU



This User Manual has been translated using machine translation. We have made every effort to ensure the translation is accurate, but please note that automated translations are not perfect and are not meant to replace human translators. The official version of the User Manual is in English. Any differences between the translated version and the original English are not legally binding. If you have any questions about the accuracy of the translation, please refer to the English version, which is the official reference. More language versions are available upon request via info@expondo.com.

Technical data

Parameter description	Parameter value	
Product name	Stainless steel dish cabinet	
Model	RCDC-60S	RCDC-60
Dimensions [width x depth x height; mm]	600 x 700 x 1790	600 x 600 x 1790
Weight [kg]	43.7	36.9

1. General description

The user manual is designed to assist in the safe and trouble-free use of the device. The product is designed and manufactured in accordance with strict technical guidelines, using state-of-the-art technologies and components. Additionally, it is produced in compliance with the most stringent quality standards.

DO NOT USE THE DEVICE UNLESS YOU HAVE THOROUGHLY READ AND UNDERSTOOD THIS USER MANUAL.

To increase the product life of the device and to ensure trouble-free operation, use it in accordance with this user manual and regularly perform maintenance tasks. The technical data and specifications in this user manual are up to date. The manufacturer reserves the right to make changes associated with quality improvement. The device is designed to reduce noise emission risks to a minimum, taking into account technological progress and noise reduction opportunities.

Legend



The product satisfies the relevant safety standards.



Read instructions before use.



The product must be recycled.



WARNING! or **CAUTION!** or **REMEMBER!** Applicable to the given situation.
(general warning sign)



PLEASE NOTE! Drawings in this manual are for illustration purposes only and in some details may differ from the actual product.

2. Usage safety



ATTENTION! Read all safety warnings and all instructions. Failure to follow the warnings and instructions may result in serious injury or even death.

The terms "device" or "product" are used in the warnings and instructions to refer to:

Stainless steel dish cabinet

2.1. Safety in the workplace

- a) Please keep this manual available for future reference. If this device is passed on to a third party, the manual must be passed on with it.
- b) Keep packaging elements and small assembly parts in a place not available to children.
- c) If this device is used together with another equipment, the remaining instructions for use shall also be followed.
- d) Ensure the product is placed on a flat and stable surface.



Remember! When using the device, protect children and other bystanders.

2.2. Personal safety

- a) Be cautious when handling sharp tools or cutlery on the product.
- b) Check for any sharp edges before use and smooth them if necessary.

2.3. Safe device use

- a) When transporting and handling the device between the warehouse and the destination, observe the occupational health and safety principles for manual transport operations which apply in the country where the device will be used.
- b) Clean the device regularly to prevent stubborn grime from accumulating.
- c) Keep the device away from sources of fire and heat.
- d) Do not place open flames or high-temperature appliances directly on the product.
- e) Keep flammable materials away from the surface.
- f) Do not overload the shelves beyond the stated weight capacity.
- g) If using electrical appliances on the worktable, ensure they comply with safety standards.
- h) Do not run electrical cords under or between shelves where they could be damaged.



ATTENTION! Despite the safe design of the device and its protective features, and despite the use of additional elements protecting the operator, there is still a slight risk of accident or injury when using the device. Stay alert and use common sense when using the device.

3. Use guidelines

The product provides durable storage for dishes and kitchen essentials.

The user is liable for any damage resulting from unintended use of the device.

3.1. Assembling the device

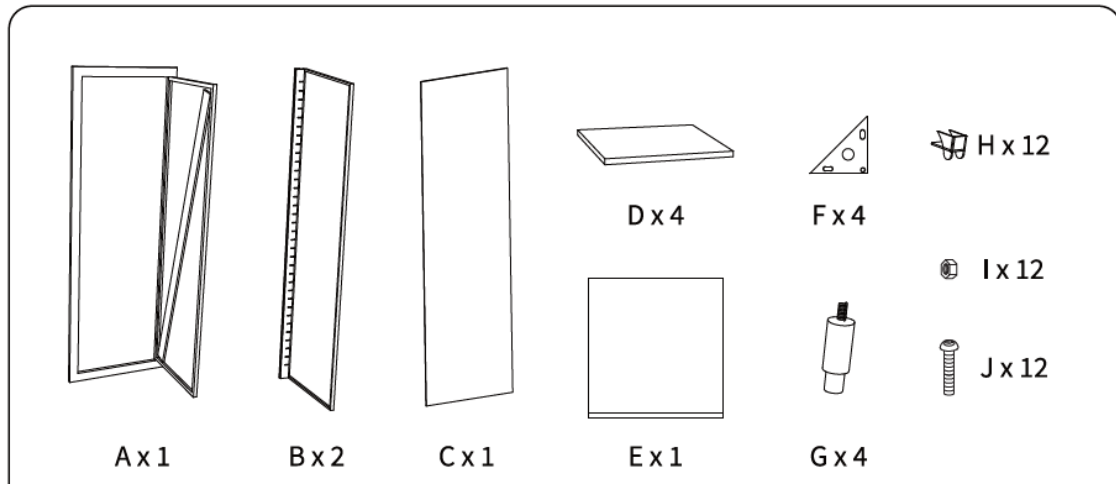
ASSEMBLY INSTRUCTIONS

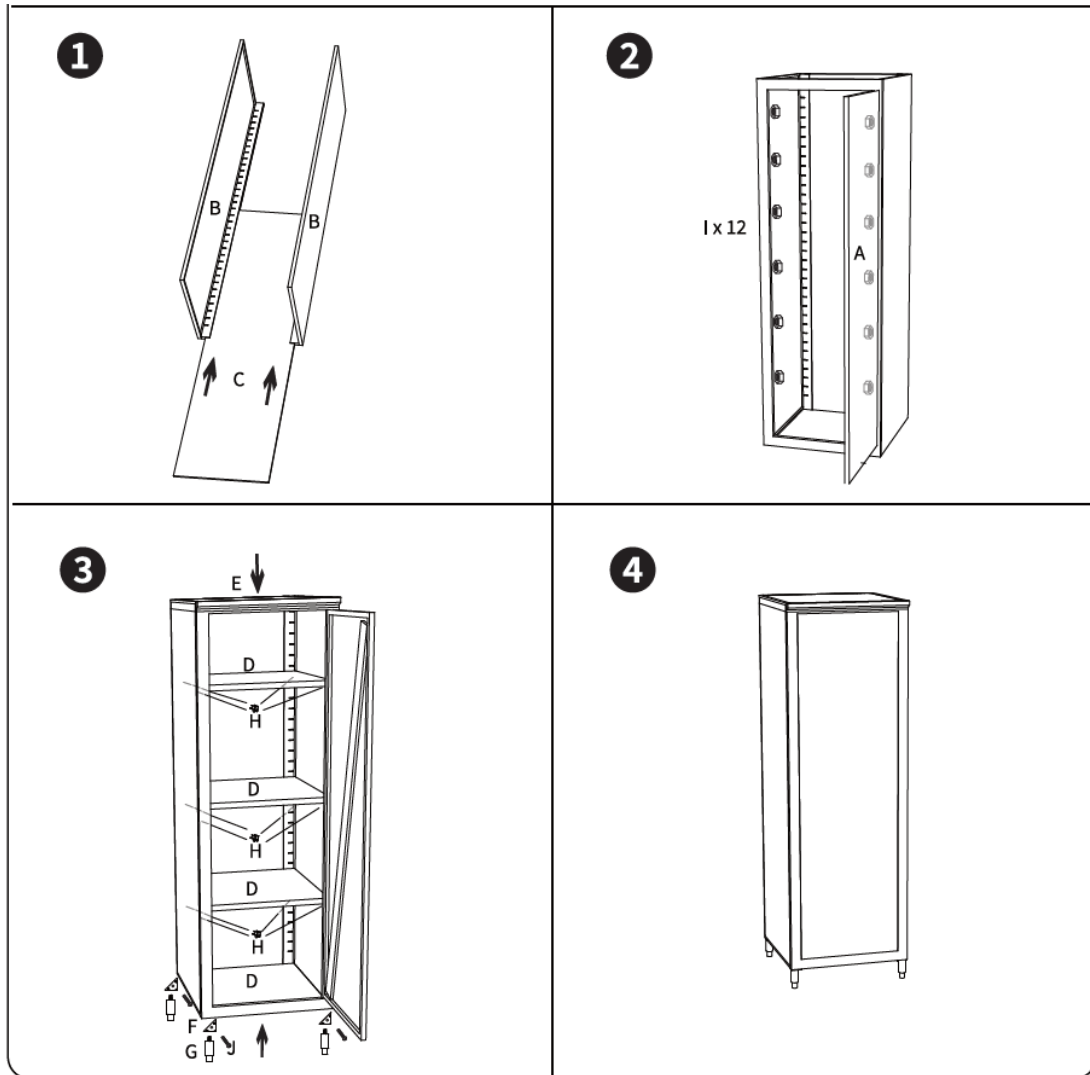
1. Unpack all components and verify that all parts are included.
2. Follow the provided assembly diagram to attach the boards.

3. Ensure all screws and bolts are securely tightened.
4. Adjust the feet to stabilize the product on uneven surfaces.

**WARNING!**

- Do not overtighten screws, as this may damage the structure.
- Ensure all parts are correctly assembled before use.

ASSEMBLY DIAGRAM



3.2. Cleaning and maintenance

- a) Use only non-corrosive cleaners to clean the surface.
- b) Use only mild, food-safe detergents to wash the device.
- c) Use a soft, damp cloth for cleaning.
- d) Do not use sharp and/or metal objects for cleaning (e.g. a wire brush or a metal spatula) because they may damage the surface material of the appliance.
- e) Do not clean the device with an acidic substance, agents of medical purposes, thinners, fuel, oils or other chemical substances because it may damage the device.
- f) Regularly inspect the worktable for signs of wear, rust, or loose parts.
- g) Tighten any loose screws or bolts as needed.
- h) Store indoors when not in use to prolong its lifespan.

UMWELT – UND ENTSORGUNGSHINWEISE

Hersteller an Verbraucher

Sehr geehrte Damen und Herren,

gebrauchte Elektro – und Elektronikgeräte dürfen gemäß europäischer Vorgaben [1] nicht zum unsortierten Siedlungsabfall gegeben werden, sondern müssen getrennt erfasst werden. Das Symbol der Abfalltonne auf Rädern weist auf die Notwendigkeit der getrennten Sammlung hin. Helfen auch Sie mit beim Umweltschutz. Sorgen Sie dafür, dieses Gerät, wenn Sie es nicht mehr weiter nutzen wollen, in die hierfür vorgesehenen Systeme der Getrenntsammlung zu geben.



In Deutschland sind Sie gesetzlich [2] verpflichtet, ein Altgerät einer vom unsortierten Siedlungsabfall getrennten Erfassung zuzuführen. Die öffentlich – rechtlichen Entsorgungsträger (Kommunen) haben hierzu Sammelstellen eingerichtet, an denen Altgeräte aus privaten Haushalten ihres Gebietes für Sie kostenfrei entgegengenommen werden. Möglicherweise holen die rechtlichen Entsorgungsträger die Altgeräte auch bei den privaten Haushalten ab.

Bitte informieren Sie sich über Ihren lokalen Abfallkalender oder bei Ihrer Stadt – oder Gemeindeverwaltung über die in Ihrem Gebiet zur Verfügung stehenden Möglichkeiten der Rückgabe oder Sammlung von Altgeräten.

[1] RICHTLINIE 2002/96/EG DES EUROPÄISCHEN PARLAMENTS UND DES RATES
ÜBER ELEKTRO – UND ELEKTRONIK – ALTGERÄTE

[2] Gesetz über das Inverkehrbringen, die Rücknahme und die umweltverträgliche Entsorgung
von Elektro – und Elektronikgeräten (Elektro – und Elektronikgerätegesetz – ElektroG).

Utylizacja produktu

Produkty elektryczne i elektroniczne po zakończeniu okresu eksploatacji wymagają segregacji i oddania ich do wyznaczonego punktu odbioru. Nie wolno wyrzucać produktów elektrycznych razem z odpadami gospodarstwa domowego. Zgodnie z dyrektywą WEEE 2012/19/UE obowiązującą w Unii Europejskiej, urządzenia elektryczne i elektroniczne wymagają segregacji i utylizacji w wyznaczonych miejscach. Dbając o prawidłową utylizację, przyczyniasz się do ochrony zasobów naturalnych i zmniejszasz negatywny wpływ oddziaływania na środowisko, człowieka i otoczenie. Zgodnie z krajowym prawodawstwem, nieprawidłowe usuwanie odpadów elektrycznych i elektronicznych może być karane!

For the disposal of the device please consider and act according to the national and local rules and regulations.

CONTACT

expondo Polska sp. z o.o. sp. k.

ul. Nowy Kisielin – Innowacyjna 7
66-002 Zielona Góra | Poland, EU

e-mail: info@expondo.com