



USER MANUAL

BEDIENUNGSANLEITUNG

INSTRUKCJA OBSŁUGI

NÁVOD K POUŽITÍ

MANUEL D'UTILISATION

ISTRUZIONI PER L'USO

MANUAL DE INSTRUCCIONES

HASZNÁLATI ÚTMUTATÓ BRUGSANVISNINGENKEL KÄYTTÖOHJE GEBRUIK

SAANWIJZING

BRUKSANVISNING

INSTRUÇÕES DE UTILIZAÇÃO

POUŽÍVATEĽSKÁ PRÍRUČKA

РЪКОВОДСТВО ЗА УПОТРЕБА

ΟΔ ΗΓΙΕΣ ΧΡΗΣΗΣ

UPUTE ZA UPORABU

NAUDOJIMO INSTRUKCIJA

MANUAL DE UTILIZARE

NAVODILA ZA UPORABO

MAGNETIC CORE DRILL

DE	Produktname	Magnetbohrmaschine
EN	Product name	Magnetic core drill
PL	Nazwa produktu	Wiertarka magnetyczna
CZ	Název výrobku	Magnetická jádrová vrtačka
FR	Nom du produit	Perceuse magnétique à noyau
IT	Nome del prodotto	Trapano a nucleo magnetico
ES	Nombre del producto	Taladro magnético de núcleo
HU	Termék neve	Mágneses magfúró
DA	Produktnavn	Magnetisk kernboremaskine
FI	Tuotteen nimi	Magneettinen ydinporakone
NL	Productnaam	Magnetische kernboormachine
NO	Produktnavn	Magnetisk kjerneboremaskin
SE	Produktnamn	Magnetisk kärnbormaskin
PT	Nome do produto	Broca magnética de núcleo
SK	Názov produktu	Magnetické jadrové vrtačky
BG	Име на продукта	Магнитно сондажно устройство
EL	Όνομα προϊόντος	Μαγνητικό πυρήνα τρυπάνι
HR	Naziv proizvoda	Magnetska jezgra bušilica
LT	Produkto pavadinimas	Magnetinės šerdies grąžtas
RO	Numele produsului	Burghiu magnetic cu miez
SL	Ime izdelka	Magnetno jedrsko sveder
DE Modell EN Product model PL Model produktu CZ Model výrobku FR Modèle IT Modello ES Modelo HU Modell DA Model FI Tuotteen malli NL Productmodel NO Produktmodell SE Produktmodell PT Modelo do produto SK Model BG Модел на продукт EL Μοντέλο προϊόντος HR Model proizvoda LT : Gaminio modelis RO : Model de produs SL : Model izdelka		MSW-CH-502OL
DE Hersteller EN Manufacturer PL Producent CZ Výrobce FR Fabricant IT Produttore ES Fabricante HU Termelő DA Producent FI Valmistaja NL Producent NO Produsent SE Tillverkare PT Fabricante SK Výrobca BG Производител EL Κατασκευαστής HR Proizvođač LT Gamintojas RO Producător SL Proizvajalec		expondo Polska sp. z o.o. sp. k.
DE Anschrift des Herstellers EN Manufacturer Address PL Adres producenta CZ Adresa výrobce FR Adresse du fabricant IT Indirizzo del produttore ES Dirección del fabricante HU A gyártó címe DA Producentens adresse FI Valmistajan osoite NL Adres producent NO Produsentens adresse SE Tillverkarens adress PT Endereço do fabricante SK Adresa výrobcu BG Адрес на производителя EL : Διεύθυνση κατασκευαστή HR Adresa proizvođača LT Gamintojo adresas RO Adresa producătorului SL Naslov proizvajalca		ul. Nowy Kisielin – Innowacyjna 7, 66-002 Zielona Góra Poland, EU



This User Manual has been translated using machine translation. We have made every effort to ensure the translation is accurate, but please note that automated translations are not perfect and are not meant to replace human translators. The official version of the User Manual is in English. Any differences between the translated version and the original English are not legally binding. If you have any questions about the accuracy of the translation, please refer to the English version, which is the official reference. More language versions are available upon request via info@expondo.com.

Technical data

Parameter description	Parameter value
Product name	Magnetic core drill
Model	MSW-CH-502OL
Rated voltage [V~] / frequency [Hz]	230 / 50
Rated power [W]	1650
Max. attraction [N]	16000
No-load speed [rpm]	290 / 510
Core drill: diameter [mm]	50
Twist drill: diameter [mm]	16
Dimensions [width x depth x height; mm]	140 x 490 x 420
Weight [kg]	15.45

1. General description

The user manual is designed to assist in the safe and trouble-free use of the device. The product is designed and manufactured in accordance with strict technical guidelines, using state-of-the-art technologies and components. Additionally, it is produced in compliance with the most stringent quality standards.

DO NOT USE THE DEVICE UNLESS YOU HAVE THOROUGHLY READ AND UNDERSTOOD THIS USER MANUAL.

To increase the product life of the device and to ensure trouble-free operation, use it in accordance with this user manual and regularly perform maintenance tasks. The technical data and specifications in this user manual are up to date. The manufacturer reserves the right to make changes associated with quality improvement. The device is designed to reduce noise emission risks to a minimum, taking into account technological progress and noise reduction opportunities.

Legend



The product satisfies the relevant safety standards.



Read instructions before use.



The product must be recycled.



WARNING! or **CAUTION!** or **REMEMBER!** Applicable to the given situation.
(general warning sign)



Use ear protection. Exposure to loud noise may result in hearing loss.



Wear protective goggles.



Wear foot protection.



ATTENTION! Electric shock warning!



ATTENTION! Rotating parts, entanglement hazard!



ATTENTION! Hand crush hazard!



Climbing onto the machine is strictly prohibited! Serious injuries may occur due to falls or machine tipping.



Only use indoors.



PLEASE NOTE! Drawings in this manual are for illustration purposes only and in some details may differ from the actual product.

2. Usage safety



ATTENTION! Read all safety warnings and all instructions. Failure to follow the warnings and instructions may result in electric shock, fire and/or serious injury or even death.

The terms "device" or "product" are used in the warnings and instructions to refer to:

Magnetic core drill

2.1. Electrical safety

- a) The plug must fit the socket. Do not modify the plug in any way. Using original plugs and matching sockets reduces the risk of electric shock.
- b) Do not modify the plug or use unauthorized adapters. Avoid using multiple electric tools on the same power cord.
- c) Avoid touching earthed elements such as pipes, heaters, boilers and refrigerators. There is an increased risk of electric shock if the earthed device is exposed to rain, comes into direct contact with a wet surface or is operating in a damp environment. Water getting into the device increases the risk of damage to the device and of electric shock.
- d) Do not touch the device with wet or damp hands.
- e) Use the cable only for its designated use. Never use it to carry the device or to pull the plug out of a socket. Keep the cable away from heat sources, oil, sharp edges or moving parts. Damaged or tangled cables increase the risk of electric shock.
- f) Do not use the device if the power cord is damaged or shows obvious signs of wear. A damaged power cord should be replaced by a qualified electrician or the manufacturer's service centre.
- g) To avoid electric shock, do not immerse the cord, plug or device in water or other liquids. Do not use the device on wet surfaces.

- h) ATTENTION! DANGER TO LIFE! While cleaning, never immerse the device in water or other liquids.
- i) Do not use in very humid environments or in the direct vicinity of water tanks.
- j) Prevent the device from getting wet. Risk of electric shock!
- k) Do not use an electric welding machine and a magnetic base drill on the same steel plate simultaneously, as this poses an electric shock hazard.
- l) Keep the power cable positioned behind the machine, away from the drill bit during operation.
- m) This tool must be properly grounded to prevent electric shock. The grounding device should meet standard requirements and include a grounding plug connected to a dedicated earth line. Do not create a false ground connection on the live or three-phase line. The grounded power receptacle should be permanently connected to the earthing device, ensuring that the yellow-green wire is correctly linked to both the plug hole and the grounding terminal.

2.2. Safety in the workplace

- a) Make sure the workplace is clean and well lit. A messy or poorly lit workplace may lead to accidents. Try to think ahead, observe what is going on and use common sense when working with the device.
- b) Do not use the device in a potentially explosive environment, for example in the presence of flammable liquids, gases or dust. The device generates sparks which may ignite dust or fumes.
- c) If you discover damage or irregular operation, immediately switch the device off and report it to a supervisor without delay.
- d) If you are unsure about whether the device is operating correctly or if you find damage, please contact the manufacturer's service centre.
- e) Only the manufacturer's service centre may make repairs to the device. Do not attempt to make repairs yourself!
- f) In case of fire, use a powder or carbon dioxide (CO₂) fire extinguisher (one intended for use on live electrical devices) to put it out.
- g) Children or unauthorised persons are forbidden to enter a work station. A distraction may result in loss of control over the device.
- h) Use the device in a well-ventilated space.
- i) Do not use the device in insufficient lighting conditions.
- j) The device produces dust and debris during operation. It is important to protect bystanders from their harmful effects.
- k) Regularly inspect the condition of the safety labels. If the labels are illegible, they must be replaced.
- l) Please keep this manual available for future reference. If this device is passed on to a third party, the manual must be passed on with it.
- m) Keep packaging elements and small assembly parts in a place not available to children.
- n) Keep the device away from children and animals.
- o) If this device is used together with another equipment, the remaining instructions for use shall also be followed.



Remember! When using the device, protect children and other bystanders.

2.3. Personal safety

- a) Do not use the device when tired, ill or under the influence of alcohol, narcotics or medication which can significantly impair the ability to operate the device.
- b) The machine may be operated by physically fit persons who are able to handle the machine, are properly trained, who have reviewed this operating manual and have received training in occupational health and safety.
- c) When working with the device, use common sense and stay alert. Temporary loss of concentration while using the device may lead to serious injuries.
- d) Use personal protective equipment as required for working with the device, specified in section 1 "Legend". The use of correct and approved personal protective equipment reduces the risk of injury.
- e) Do not wear safety gloves for operating because they decrease the working accuracy and might be pulled into the saw blade.
- f) Always wear a safety harness when using the magnetic base drill.
- g) To prevent the device from accidentally switching on, make sure both the electric and magnetic switches are in the OFF position before connecting to a power source.
- h) Do not overestimate your abilities. When using the device, keep your balance and remain stable at all times. This will ensure better control over the device in unexpected situations.
- i) Do not wear loose clothing or jewellery. Keep hair, clothes and gloves away from moving parts. Loose clothing, jewellery or long hair may get caught in moving parts.
- j) Remove all adjusting tools or spanners before turning the device on. A tool or spanner left in the revolving part of the device may cause injury.
- k) The device is not a toy. Children must be supervised to ensure that they do not play with the device.
- l) Do not put your hands or other items inside the device while it is in use!

2.4. Safe device use

- a) Do not overload the device. Use the appropriate tools for the given task. A correctly-selected device will perform the task for which it was designed better and in a safer manner.
- b) If the drill has stepless speed regulation and constant power overload protection, the motor may stop due to overload. Follow these steps to reset:
 - Turn off the power switch and wait a few minutes.
 - Reconnect the power plug and restart the motor.
- c) Do not use the device if the "ON/OFF" switch does not function properly (does not switch the device on and off). Devices which cannot be switched on and off using the "ON/OFF" switch are hazardous, should not be operated and must be repaired.
- d) Make sure the plug is disconnected from the socket before attempting any adjustments, accessory replacements or before putting the device aside. Such precautions will reduce the risk of accidentally activating the device.
- e) When not in use, store in a safe place, away from children and people not familiar with the device who have not read the user manual. The device may pose a hazard in the hands of inexperienced users.
- f) Keep the device in perfect technical condition. Before each use, check for general damage, especially check moving components for cracked parts or elements, and for any other conditions which may impact the safe operation of the device. If damage is discovered, hand over the device for repair before use.

- g) Keep the device out of the reach of children.
- h) Device repair or maintenance should be carried out by qualified persons, only using original spare parts. This will ensure safe use.
- i) To ensure the operational integrity of the device, do not remove factory-fitted guards and do not loosen any screws.
- j) When transporting and handling the device between the warehouse and the destination, observe the occupational health and safety principles for manual transport operations which apply in the country where the device will be used.
- k) Avoid situations where the device stops working during use due to excessive loading. This may result in overheating of the drive elements and damage to the device.
- l) Do not touch articulated parts or accessories unless the device has been disconnected from the power source.
- m) Do not move, adjust or rotate the device in the course of work.
- n) Do not leave this appliance unattended while it is in use.
- o) Clean the device regularly to prevent stubborn grime from accumulating.
- p) Do not work on two workpieces at the same time.
- q) The device is not a toy. Cleaning and maintenance may not be carried out by children without supervision by an adult person.
- r) Do not run the device when empty.
- s) It is forbidden to interfere with the structure of the device in order to change its parameters or construction.
- t) Keep the device away from sources of fire and heat.
- u) Ensure the drill bit is properly clamped, and remove the key wrench before operation. The drill bit must be sharp. For Morse taper shank drills, ensure the flat iron tail is correctly inserted into the sleeve groove. When removing the drill, align the inclined flat iron with the groove and use a hammer to detach it.
- v) Always use coolant when operating the drill. Mix coolant (such as soapy water) properly; never use plain water, as it may cause damage, rust, or make it difficult to remove the drill bit. Do not allow water to enter the machine, as it may burn the circuit board.
- w) Do not force the feed handle in an attempt to speed up drilling. Excessive pressure can damage both the drill bit and the machine.
- x) The magnetic base drill cannot be used on non-magnetic materials. If drilling non-magnetic materials, use a magnetic base drill equipped with a suction base.



ATTENTION! Despite the safe design of the device and its protective features, and despite the use of additional elements protecting the operator, there is still a slight risk of accident or injury when using the device. Stay alert and use common sense when using the device.

3. Use guidelines

The product is designed for adhering to and drilling on horizontal, vertical, and overhead surfaces. It is widely used in construction, bridge building, and shipbuilding industries, etc. It is particularly useful when a drill press or handheld electric drill cannot be used, such as for drilling large steel workpieces or performing field operations.

The user is liable for any damage resulting from unintended use of the device.

3.1. Device use

GENERAL OPERATION INSTRUCTIONS

1. Power Connection & Magnetic Base Setup

Plug in the power cord and position the drill bit over the desired drilling location. Turn on the magnetic switch to activate the magnetic base, ensuring it adheres securely to the steel surface. The surface must be free of impurities, and the plate thickness should generally be at least 10mm. Check the magnetic holding force before proceeding.

2. Securing the Magnetic Base Drill

Position the drill close to the drilling site and ensure it is placed on a suitable ferromagnetic material. Insert the safety rope through the frame, securing one end to the frame and fastening the other end using the safety buckle. Pull on the rope to confirm it is firmly secured and does not allow movement.

3. Adjusting the Support Screw

Adjust the support screw until the bottom makes firm contact with the workpiece surface, providing additional stability.

4. Setting the Drilling Angle

If an angular adjustment is needed, use an angle wrench to rotate the angle disk, aligning the drill bit with the desired drilling position. Once aligned, tighten the wrench securely.

5. Starting the Drill

Turn on the drill switch and check for any unusual vibrations or sounds. If everything operates normally, slowly rotate the handle to begin feeding the drill into the material.

6. Proper Drilling Technique

Start feeding the drill bit slowly, maintaining a feed rate of approximately 0.05mm per revolution. Avoid applying excessive force to prevent overloading the motor.

7. Emergency Stop

If the drill stops unexpectedly, immediately turn off the power switch. Ensure that the magnetic switch is also turned off before troubleshooting.

8. Preventing Overheating

If the machine is used continuously for 2-3 hours, allow it to rest for a period to prevent overheating of the magnetic base, which could lead to power leakage or damage.

9. Cooling System Usage

When using a hollow drill bit, ensure a steady supply of cooling water or coolant. Open the valve and let the coolant flow gradually.

10. Installing the Cooling Kettle

The factory-equipped cooling kettle should be installed correctly before operation. Secure the kettle in the designated position by tightening the two round-head screws. After installation, connect the kettle's fitting to the hydrosphere and tighten it firmly to ensure proper coolant flow.

DRILLING INSTRUCTIONS

1. Drilling on a Horizontal Surface

- Position the machine on the workpiece and plug it in.
- Turn on the magnetic control switch to secure the magnetic base firmly.
- Attach the drill bit and rotate the handle to bring it into contact with the workpiece.
- Turn on the motor switch and begin drilling. Maintain a feed rate of approximately 0.05mm/r and avoid excessive force to prevent overloading.

2. Drilling on a Vertical (Side) Surface

- Two operators and one guardian are required for safety.
- Position the machine on the workpiece and plug it in.
- Hold the machine securely while turning on the magnetic control switch until the base is firmly attached.
- Fasten a safety belt to prevent accidental dropping.
- Attach the drill bit, rotate the handle to bring it into contact with the workpiece, and turn on the motor switch to drill.
- Maintain a feed rate of 0.05mm/r and avoid excessive force to prevent overload.

3. Drilling on an Overhead (Top) Surface

- This method is not recommended.
- If necessary, two operators and one guardian are required.
- Take appropriate safety precautions, ensuring stability and protection from falling debris.

4. Other Drilling Positions

- Operators should adjust the drilling method as needed based on the situation.
- Always prioritize safety and take necessary precautions.



Warning! The magnetic drill is equipped with a safety rope. During operation, ensure that the magnetic drill and the workpiece are securely fastened with the rope. This prevents the machine from falling or ejecting objects in the event of a sudden power failure, reducing the risk of accidents.

3.2. Cleaning and maintenance

- a) Unplug the mains plug and allow the device to cool completely before each cleaning, adjustment or replacement of accessories, or if the device is not being used.
 - Wait for the rotating elements to stop.
- b) Always unplug the device before cleaning or putting it away.
- c) Use only non-corrosive cleaners to clean the surface.
- d) Use only mild, food-safe detergents to wash the device.
- e) After cleaning the device, all parts should be dried completely before using it again.
- f) Store the unit in a dry, cool place, free from moisture and direct exposure to sunlight.
- g) Do not spray the device with a water jet or submerge it in water.
- h) The device must be regularly inspected to check its technical efficiency and spot any damage.
- i) Use a soft, damp cloth for cleaning.

- j) Do not use sharp and/or metal objects for cleaning (e.g. a wire brush or a metal spatula) because they may damage the surface material of the appliance.
- k) Do not clean the device with an acidic substance, agents of medical purposes, thinners, fuel, oils or other chemical substances because it may damage the device.

DISPOSING OF USED DEVICES

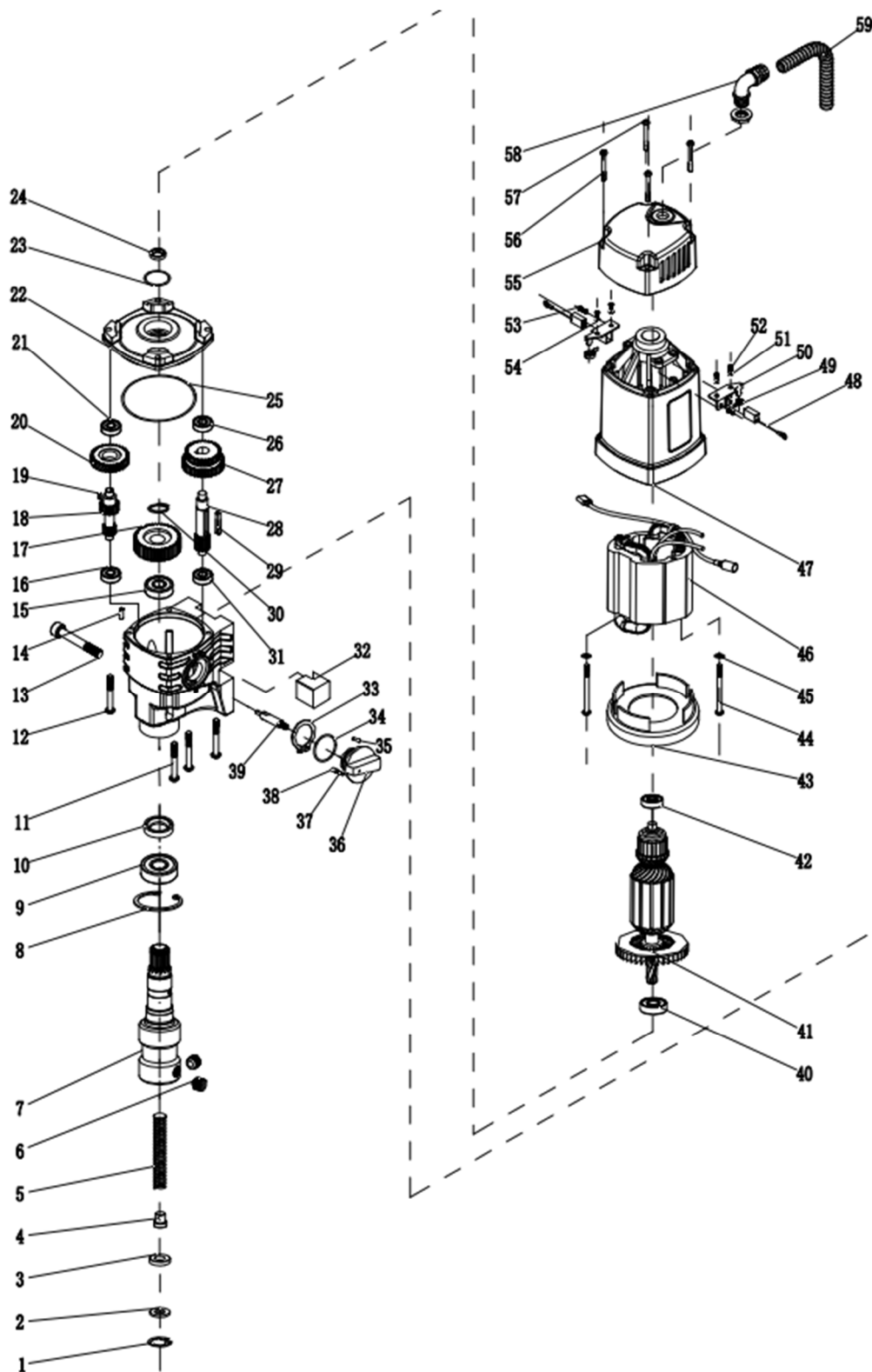
Do not dispose of this device in municipal waste systems. Hand it over to an electric and electrical device recycling and collection point. Check the symbol on the product, instruction manual and packaging. The plastics used to construct the device can be recycled in accordance with their markings. By choosing to recycle you are making a significant contribution to the protection of our environment.

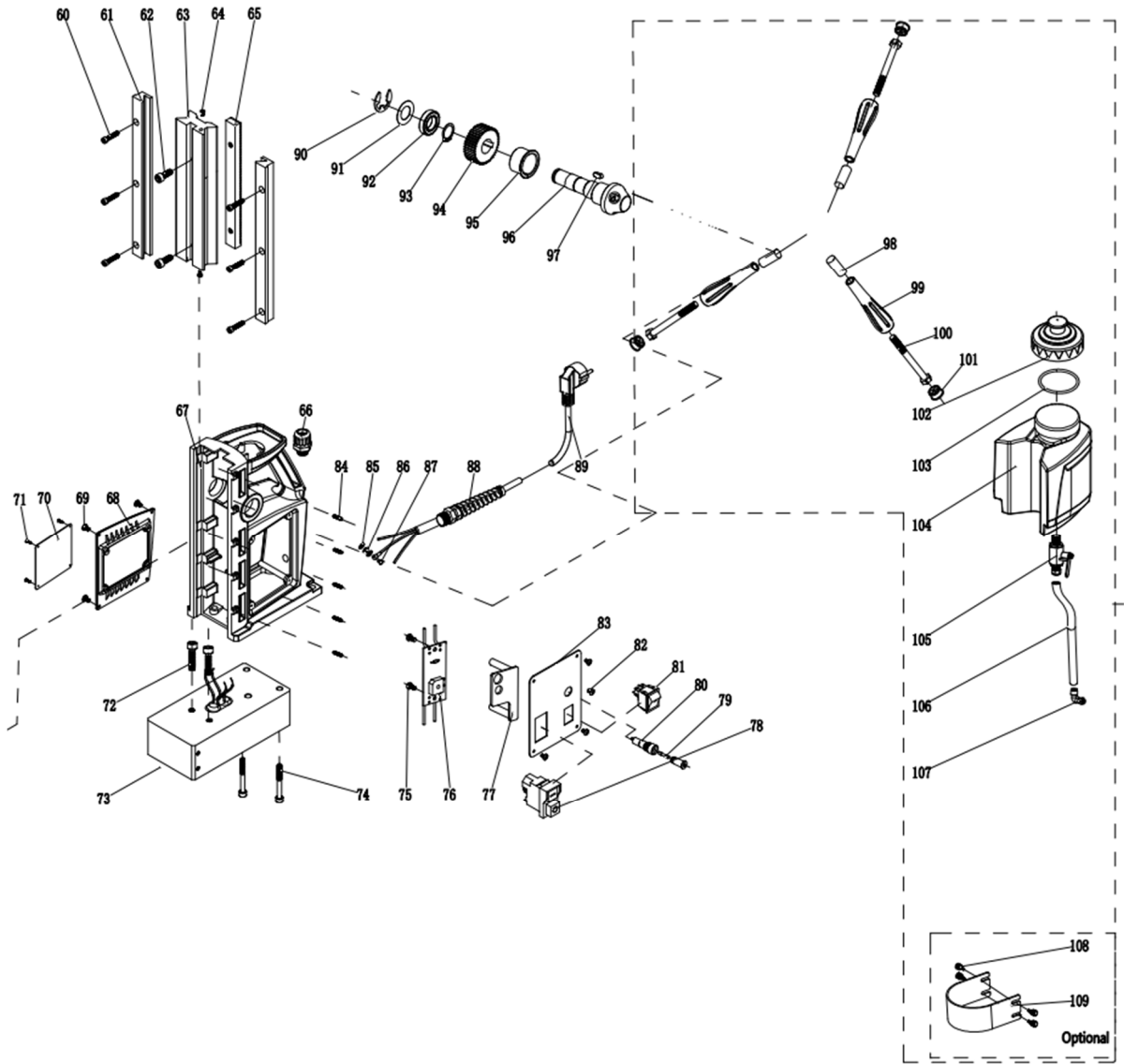
Contact local authorities for information on your local recycling facility.

TROUBLESHOOTING

Problem	Possible cause	Solution
Magnetic base without suction	The switch contact is undesirable.	Repair the switch.
	The power supply is broken.	Repair the power supply.
	The fuse burns out.	Replace the Fuses.
	Electromagnet short circuit or burn out.	Repair or replace the magnetic bridge.
	Adsorption is not on the steel frame.	Change the adsorption surface.
	The circuit board burned.	Replacement of circuit boards.
The machine did not run after the jump	The switch contact is undesirable.	Repair and change the switch.
	Joint loose.	Check the electric drill part connector.
	Brush and commutator poor contact.	Repair or replace the electric brush.
	Drill the armature or stator coil burn out.	Changing the armature or stator.
Magnetic little suction	Adsorption artifacts thin.	Replace the adsorption surface or thickening adsorption surface. (>10mm steel sheet)
	Adsorption on the surface is small.	Replace the adsorption surface or temporarily weld thick surface adsorption.
	Support bar between the adsorption surface.	Support bar top tight.
	The diode may be virtual welding.	Re Welding.
Turn the handle guide does not work	Shaft key cut.	Replace the shaft key.
	Wheel and rack misplace.	Unscrew the rack bottom screw, remove guide to repair.
Drill out the elliptical hole	For a drill and a fastener is loose.	Correction of verticality tightens the fasteners.
	Bit of unilateral cutting.	Grind anew.
	Adsorption surfaces have sundry.	Eliminate clutter.
Spindle shake	Frame adjusting screw loose.	Tighten adjusting screws.
Electric ignition	The spark turns orange.	Slow down.
	Sparks flying out.	Change the brush, please.
	Sparks into a ring of fire.	Please check if the motor is burned.

3.3. Parts list





No.	Description	Qty.	Specification
1	Internal Circlip	1	Ø19
2	Washer	1	-
3	Polyurethane Gasket	1	-
4	Spring-loaded	1	-
5	Spring	1	-
6	Hex Socket Set Screw with Flat End	2	M10 * 12
7	Spindle	1	-

8	Internal Circlip	1	Ø42
9	Bearing	1	6905
10	Oil Seal	1	20 * 32 * 7
11	Pan Head Phillips Self-tapping Screw	4	M5 * 65
12	Gearbox	1	-
13	Hex Socket Screw	1	M8 * 50
14	Cylindrical Pin	1	Ø4 * 12
15	Bearing	1	16003
16	Bearing	1	608
17	Spindle Gear	1	-
18	Grade I Gear Shaft	1	-
19	Square Pin	1	4 * 6
20	Grade I Gear	1	-
21	Bearing	1	608
22	Middle Cover	1	-
23	O-ring	1	Ø28 * 1.8
24	Oil Seal	1	10 * 16 * 4
25	O-ring	1	Ø88x2
26	Bearing	1	608
27	Grade II Gear	1	-
28	Grade II Gear Shaft	1	-
29	Square Pin	1	5 * 30
30	External Circlip	1	Ø16
31	Bearing	1	608

32	Dovetail Iron Block	1	-
33	External Circlip	1	Ø26
34	O-ring	1	Ø22.4 * 2.65
35	Cylindrical Pin	1	Ø3 * 9
36	Knob	1	-
37	Spring	1	-
38	Riveted Spring Sleeve	1	-
39	Gear shift lever	1	-
40	Bearing	1	6001
41	Rotor	1	-
42	Bearing	1	608
43	Windshield Ring	1	-
44	Pan Head Phillips Self-tapping Screw	2	M4 * 65
45	Flat Washer	2	M4
46	Stator	1	-
47	Stator Housing	1	-
48	Carbon Brush	2	-
49	Coil Spring	2	-
50	Carbon Brush Holder	2	-
51	Wave Washer	4	M4
52	Pan Head Phillips Screw	4	M4 * 12
53	Pan Head Phillips Screw	2	M4 * 8
54	Wave Washer	2	M4
55	Top Cover	1	-

56	Pan Head Phillips Self-tapping Screw	2	M5 * 40
57	Pan Head Phillips Self-tapping Screw	2	M5 * 45
58	Right-angle Soft Pipe Connector	1	M12 * 1.5
59	PE Pipe	1	-
60	Hex Socket Screw	6	M4 * 20
61	Left Strip	1	-
62	Hex Socket Screw	2	M6 * 16
63	Guide Plate	1	-
64	Flat Head Stainless Steel Screw	2	M5 * 8
65	Rack	1	10 * 16 * 180 (M1)
66	Soft Connector	1	M12 * 1.5
67	Frame	1	-
68	Panel Frame	1	-
69	Pan Head Phillips Screw	4	M3 * 8
70	Parameter Panel	1	-
71	Pan Head Phillips Self-tapping Screw	4	M3 * 20
72	Hex Socket Screw	2	M6 * 20
73	Disk Assembly	1	-
74	Hex Socket Screw	2	M6 * 50
75	Pan Head Phillips Self-tapping Screw	2	M4 * 8
76	Circuit Board	1	-
77	Circuit Board Bracket	1	-

EN

78	Electromagnetic Switch	1	-
79	Fusible Link	1	5 * 20-1.0A
80	Fuse	1	-
81	Switch	1	-
82	Flat Head Stainless Steel Screw	4	M3 * 6
83	Button Panel	1	-
84	Hex Socket Set Screw with Flat End	5	M4 * 12
85	Flat Washer	2	M4
86	Wave Washer	1	M4
87	Pan Head Phillips Screw	1	M4 * 8
88	Anti-bending Connector	1	M16 * 1.5
89	Power Cable	1	3 * 1.0 * 3.5m
90	E-clip	1	Ø15
91	Needle Roller Washer	1	17 * 30 * 0.5
92	Bearing	1	6903
93	External Circlip	1	Ø18
94	Lifting Gear	1	-
95	Composite Bearing	1	-
96	Lifting Shaft	1	-
97	Square Pin	1	5 * 14
98	Extension Sleeve	3	100/3
99	Feed Handle	3	-
100	External Hexagon Screw	3	M10 * 150
101	Snap Plug	3	-

EN

102	Water Kettle Lid	1	-
103	O-ring	1	45 * 2.65
104	Water Kettle	1	-
105	Water Kettle Ball Valve	1	1/4-Ø6mm
106	Air Pipe	1	Ø6 * 4
107	Air Pipe Connector	1	-
108	Baffle Fixing Screw	4	M4 * 8
109	Iron Baffle	1	-

Umwelt – und Entsorgungshinweise

Hersteller an Verbraucher

Sehr geehrte Damen und Herren,

gebrauchte Elektro – und Elektronikgeräte dürfen gemäß europäischer Vorgaben **[1]** nicht zum unsortierten Siedlungsabfall gegeben werden, sondern müssen getrennt erfasst werden. Das Symbol der Abfalltonne auf Rädern weist auf die Notwendigkeit der getrennten Sammlung hin. Helfen auch Sie mit beim Umweltschutz. Sorgen Sie dafür, dieses Gerät, wenn Sie es nicht mehr weiter nutzen wollen, in die hierfür vorgesehenen Systeme der Getrenntsammlung zu geben.



In Deutschland sind Sie gesetzlich **[2]** verpflichtet, ein Altgerät einer vom unsortierten Siedlungsabfall getrennten Erfassung zuzuführen. Die öffentlich – rechtlichen Entsorgungsträger (Kommunen) haben hierzu Sammelstellen eingerichtet, an denen Altgeräte aus privaten Haushalten ihres Gebietes für Sie kostenfrei entgegengenommen werden. Möglicherweise holen die rechtlichen Entsorgungsträger die Altgeräte auch bei den privaten Haushalten ab.

Bitte informieren Sie sich über Ihren lokalen Abfallkalender oder bei Ihrer Stadt – oder Gemeindeverwaltung über die in Ihrem Gebiet zur Verfügung stehenden Möglichkeiten der Rückgabe oder Sammlung von Altgeräten.

[1] RICHTLINIE 2002/96/EG DES EUROPÄISCHEN PARLAMENTS UND DES RATES
ÜBER ELEKTRO – UND ELEKTRONIK – ALTGERÄTE

[2] Gesetz über das Inverkehrbringen, die Rücknahme und die umweltverträgliche Entsorgung
von Elektro – und Elektronikgeräten (Elektro – und Elektronikgerätegesetz – ElektroG).

Utylizacja produktu

Produkty elektryczne i elektroniczne po zakończeniu okresu eksploatacji wymagają segregacji i oddania ich do wyznaczonego punktu odbioru. Nie wolno wyrzucać produktów elektrycznych razem z odpadami gospodarstwa domowego. Zgodnie z dyrektywą WEEE 2012/19/UE obowiązującą w Unii Europejskiej, urządzenia elektryczne i elektroniczne wymagają segregacji i utylizacji w wyznaczonych miejscach. Dbając o prawidłową utylizację, przyczyniasz się do ochrony zasobów naturalnych i zmniejszasz negatywny wpływ oddziaływania na środowisko, człowieka i otoczenie. Zgodnie z krajowym prawodawstwem, nieprawidłowe usuwanie odpadów elektrycznych i elektronicznych może być karane!

For the disposal of the device please consider and act according to the national and local rules and regulations.

CONTACT

expondo Polska sp. z o.o. sp. k.

ul. Nowy Kisielin – Innowacyjna 7
66-002 Zielona Góra | Poland, EU

e-mail: info@expondo.com