

Safety & Operating Instructions

DE	Sicherheits- und Betriebsanweisungen
PL	Instrukcje dotyczące bezpieczeństwa i obsługi
CZ	Bezpečnostní a provozní pokyny
FR	Consignes de sécurité et d'utilisation
IT	Istruzioni per la sicurezza e l'uso
ES	Instrucciones de seguridad y funcionamiento
HU	Biztonsági és használati útmutató
DK	Sikkerheds- og betjeningsvejledning
FI	Turvallisuus- ja käyttöohjeet
NO	Sikkerhets- og bruksanvisning
NL	Veiligheids- en bedieningsinstructies
SE	Säkerhets- och bruksanvisningar
PT	Instruções de segurança e de funcionamento
SK	Bezpečnostné a prevádzkové pokyny
BG	Инструкции за безопасност и експлоатация
GR	Οδηγίες ασφαλείας και λειτουργίας
HR	Sigurnosne i upute za rad
LT	Saugos ir naudojimo instrukcijos
RO	Instrucțiuni de siguranță și operare
SL	Varnost in navodila za uporabo

ENGINE STAND

DE	Produktname	Motorständer
EN	Product name	Engine Stand
PL	Nazwa produktu	Stojak do silnika
CZ	Název výrobku	Stojan na motor
FR	Nom du produit	Support moteur
IT	Nome del prodotto	Supporto motore
ES	Nombre del producto	Soporte de motor
HU	Termék neve	Motortartó állvány
DA	Produktnavn	Motorstativ
FI	Tuotteen nimi	Moottoriteline
NL	Productnaam	Motorstandaard
NO	Produktnavn	Motorstativ
SE	Produktnamn	Motorställ
PT	Nome do produto	Suporte de motor
SK	Názov produktu	Stojan na motor
BG	Име на продукта	Стойка за двигател
EL	Όνομα προϊόντος	Βάση κινητήρα
HR	Naziv proizvoda	Stalak za motor
LT	Produkto pavadinimas	Variklio stovas
RO	Numele produsului	Suport motor
SL	Ime izdelka	Stojalo za motor
DE Modell EN Product model PL Model produktu CZ Model výrobku FR Modèle IT Modello ES Modelo HU Modell DA Model FI Tuotteen malli NL Productmodel NO Produktmodell SE Produktmodell PT Modelo do produto SK Model BG Модел на продукт EL Μοντέλο προϊόντος HR Model proizvoda LT : Gaminio modelis RO : Model de produs SL : Model izdelka		MSW-MS-680A
DE Hersteller EN Manufacturer PL Producent CZ Výrobce FR Fabricant IT Produttore ES Fabricante HU Termelő DA Producent FI Valmistaja NL Producent NO Produsent SE Tillverkare PT Fabricante SK Výrobca BG Производител EL Κατασκευαστής HR Proizvođač LT Gamintojas RO Producător SL Proizvajalec		expondo Polska sp. z o.o. sp. k.
DE Anschrift des Herstellers EN Manufacturer Address PL Adres producenta CZ Adresa výrobce FR Adresse du fabricant IT Indirizzo del produttore ES Dirección del fabricante HU A gyártó címe DA Producentens adresse FI Valmistajan osoite NL Adres producent NO Produsentens adresse SE Tillverkarens adress PT Endereço do fabricante SK Adresa výrobcu BG Адрес на производителя EL : Διεύθυνση κατασκευαστή HR Adresa proizvođača LT Gamintojo adresas RO Adresa producătorului SL Naslov proizvajalca		ul. Nowy Kisielin – Innowacyjna 7, 66-002 Zielona Góra Poland, EU



This User Manual has been translated using machine translation. We have made every effort to ensure the translation is accurate, but please note that automated translations are not perfect and are not meant to replace human translators. The official version of the User Manual is in English. Any differences between the translated version and the original English are not legally binding. If you have any questions about the accuracy of the translation, please refer to the English version, which is the official reference. More language versions are available upon request via info@expondo.com.

Technical data

Parameter description	Parameter value
Product name	Engine Stand
Model	MSW-MS-680A
Max. load [kg]	680
Dimensions [width x length x height; mm]	825 x 725 x 940
Weight [kg]	25

1. General description

The user manual is designed to assist in the safe and trouble-free use of the device. The product is designed and manufactured in accordance with strict technical guidelines, using state-of-the-art technologies and components. Additionally, it is produced in compliance with the most stringent quality standards.

**DO NOT USE THE DEVICE UNLESS YOU HAVE THOROUGHLY READ AND UNDERSTOOD
THIS USER MANUAL.**

To increase the product life of the device and to ensure trouble-free operation, use it in accordance with this user manual and regularly perform maintenance tasks. The technical data and specifications in this user manual are up to date. The manufacturer reserves the right to make changes associated with quality improvement. The device is designed to reduce noise emission risks to a minimum, taking into account technological progress and noise reduction opportunities.

Legend



The product satisfies the relevant safety standards.



Read instructions before use.



The product must be recycled.



WARNING! or **CAUTION!** or **REMEMBER!** Applicable to the given situation.
(general warning sign)



Wear protective goggles.



Wear protective gloves.



Wear foot protection.



ATTENTION! Hand crush hazard!



PLEASE NOTE! Drawings in this manual are for illustration purposes only and in some details may differ from the actual product.

2. Usage safety



ATTENTION! Read all safety warnings and all instructions. Failure to follow the warnings and instructions may result in serious injury or even death.

The terms "device" or "product" are used in the warnings and instructions to refer to Engine Stand.

2.1. Safety in the workplace

- a) Make sure the workplace is clean and well lit. A messy or poorly lit workplace may lead to accidents. Try to think ahead, observe what is going on, and use common sense when working with the device.
- b) If you are unsure whether the product is operating correctly or if you find damage, please contact the manufacturer's service centre.
- c) Only the manufacturer's service centre may repair the product. Do not attempt to make repairs yourself!
- d) Children or unauthorized persons are forbidden to enter a work station. (A distraction may result in loss of control over the device).
- e) Regularly inspect the condition of the safety labels. If the labels are illegible, they must be replaced.
- f) Please keep this manual available for future reference. If this device is passed on to a third party, the manual must be included.
- g) Keep packaging elements and small assembly parts in a place not accessible to children.
- h) Keep the device away from children and animals.
- i) If this device is used together with another piece of equipment, the remaining instructions for use must also be followed.



Remember! When using the device, protect children and other bystanders.

2.2. Personal safety

- a) Do not use the device when tired, ill, or under the influence of alcohol, narcotics, or medication, as these can significantly impair your ability to operate the device.
- b) The device can be handled only by physically fit persons who are properly trained, familiar with this manual, and trained in occupational health and safety.
- c) When working with the device, use common sense and stay alert. Temporary loss of concentration while using the device may lead to serious injuries.
- d) Use personal protective equipment as required for working with the device, as specified in section 1 (Legend). The use of correct and approved personal protective equipment reduces the risk of injury.
- e) Do not overestimate your abilities. When using the device, maintain balance and stability at all times to ensure better control, especially in unexpected situations.
- f) The device is not a toy. Children must be supervised to ensure they do not play with the device.

2.3. Safe device use

- a) When not in use, store in a safe place, away from children and people not familiar with the device, who have not read the user manual. The device may pose a hazard in the hands of inexperienced users.
- b) Keep the device in perfect technical condition. Before each use, check for general damage, especially for cracked parts or other conditions that might affect safe operation. If damage is found, do not use the device—hand it over for repair before use.
- c) Keep the device out of reach of children.
- d) Repairs and maintenance should only be performed by qualified personnel using original spare parts to ensure safe operation.
- e) When transporting or handling the device between the warehouse and destination, follow the occupational health and safety regulations applicable in the country where the device will be used.
- f) Clean the device regularly to prevent stubborn grime from accumulating.
- g) The device is not a toy. Cleaning and maintenance should never be performed by children without adult supervision.

- h) Modifications to the device are strictly forbidden. Do not alter its structure, parameters, or construction.
- i) Keep the device away from fire and heat sources.
- j) Do not overload the device.
- k) Avoid loose clothing and jewellery. Keep hair, clothing, and gloves away from moving parts, as they can get caught and cause injuries.
- l) Use the device only on a firm, level surface with a gradient of no more than 3°.
- m) Fasten the device to the engine only in manufacturer-approved locations or using dedicated adapters.
- n) Before mounting the engine and while working on it, lock the rotary mechanism and the wheels to ensure stability.
- o) **WARNING!** An unevenly distributed center of gravity may cause sudden, involuntary rotation of the rotary mechanism once unlocked. Unlock it slowly and with caution.



ATTENTION! Despite the safe design of the device and its protective features, and despite the use of additional elements protecting the operator, there is still a slight risk of accident or injury when using the device. Stay alert and use common sense when using the device.

3. Use guidelines

The product is a specialized support device designed to securely hold and rotate car engines during maintenance, repairs, and rebuilding. It provides stability and accessibility, allowing mechanics to work on the engine from different angles without strain. Commonly used in workshops and garages, it enhances safety and efficiency by keeping the engine elevated and stationary.

The user is liable for any damage resulting from unintended use of the device.

3.1. Device description



3.2. Assembling the device

Assembly Precautions

- Assemble only according to these instructions. Improper assembly can create hazards.
- Wear ANSI-approved safety goggles and heavy-duty work gloves during assembly.

- Keep assembly area clean and well lit.
- Keep bystanders out of the area during assembly.
- Do not assemble when tired or under the influence of drugs or medication.
- Weight capacity and other product capabilities apply only to properly and completely assembled products.

Assembly Instructions

1. Attach 4 casters to the legs and base using M14 nuts.
2. Attach the legs to the base with Bolts M12X80.
3. Attach the post to the base using Bolt M12X80.
4. Slide the rotating plate assembly into the collar at the top of the post. Insert the Pin to fasten the head plate assembly.
5. Attach four mounting arms to the head plate assembly with bolts and flat nuts (M14).
6. Insert the handle into the hole on the rotating plate assembly.

3.3. Device use

Use Precautions

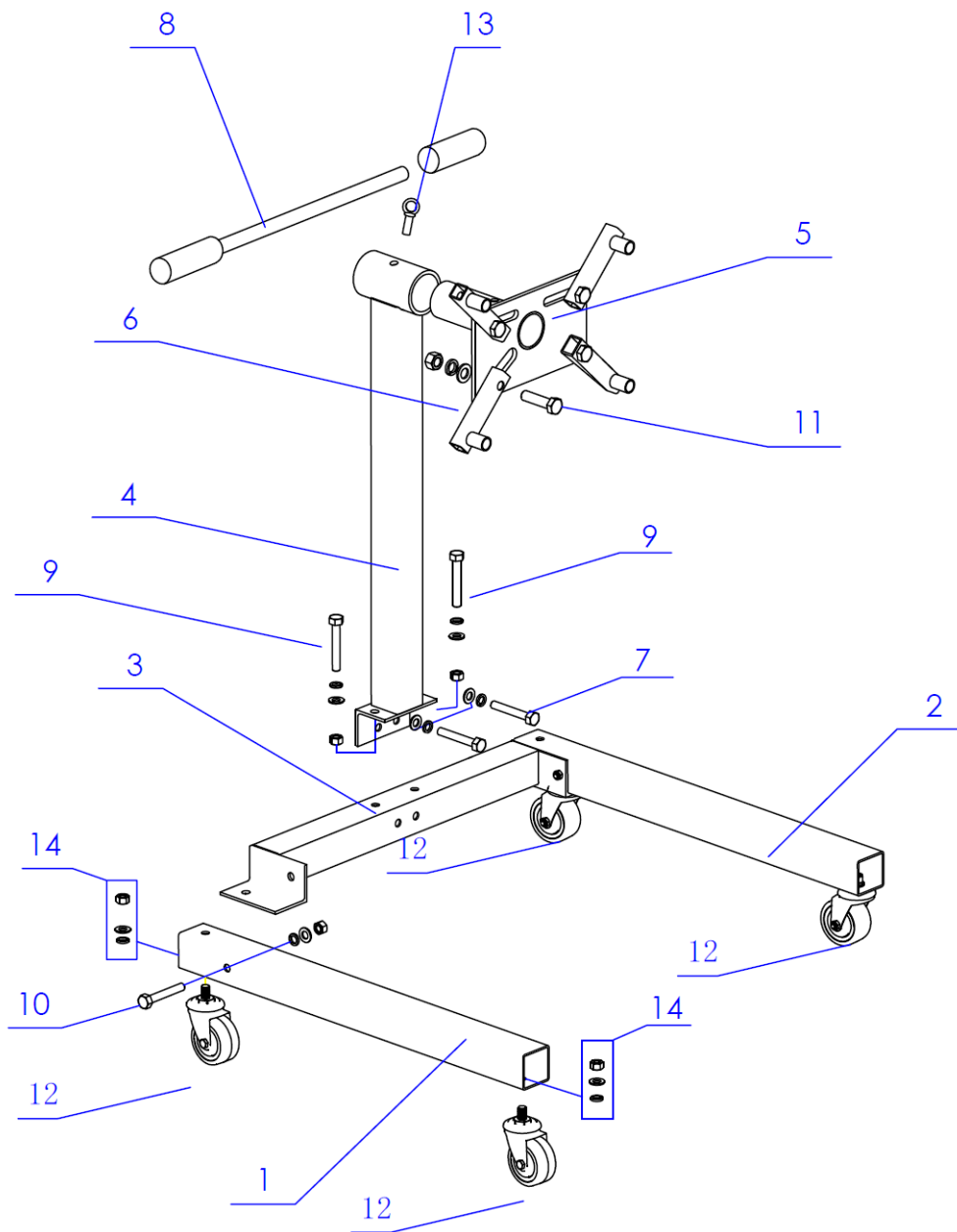
Failure to follow these instructions may result in personal injury and/or property damage:

1. Study, understand, and follow all instructions before operating this device.
2. Do not exceed rated capacity. Be aware of dynamic loading—sudden load movements may exceed the rated load.
3. Use only on hard, level surfaces.
4. Lock the mounting plate rotating mechanism before applying a load.
5. Ensure the load is centered and securely attached to mounting points.
6. Only use when the legs are fully extended outward, and Leg Lock Pins and R-Pins are properly in place.
7. Hold the Handle while removing the Pin.
8. Do not use for aircraft purposes.
9. Inspect before every use; do not use if parts are loose or damaged.
10. This product is not a toy. Keep out of reach of children.
11. Use only as intended.
12. Maintain product labels and nameplates, as they contain important safety information.

3.4. Cleaning and maintenance

- Use only non-corrosive cleaners to clean the surface.
- Store the unit in a dry, cool place, free from moisture and direct sunlight exposure.

- Do not spray the device with a water jet or submerge it in water.
- The device must be regularly inspected to check its technical efficiency and identify any damage.
- Use a soft cloth for cleaning.
- Do not clean the device with acidic substances, medical agents, thinners, fuel, oils, or other chemicals, as they may damage the device.
- Regular maintenance is required—lubricate moving parts at friction points, especially if the device is stored outdoors.

Assembly drawing**Part list**

Part No.	Description	Qty
1	Left Leg	1
2	Right Leg	1
3	Rear cross beam	1
4	Rear Upright	1
5	Mounting plate	1
6	Moving Bracket	4
7	M12x80 Nut & Screw & Spring washer & washer	2
8	Handle	1
9	M12x80 Nut & Screw & Spring washer & washer	2
10	M12x80 Nut & Screw & Spring washer & washer	2
11	M14 Nut & Screw & Spring washer & washer	4
12	Caster	4
13	Locking pin	1
14	M12 Nut & Spring washer & washer	4

Environmental and disposal information

Producer to customer

Dear Sir or Madam,

Let's take care of the environment! The product you own should not be disposed of with household waste. According to applicable regulations (Directive 2012/19/EU and other local regulations), used equipment must be taken to designated collection points for proper disposal and recycling.



How to Handle the Product at the End of Its Lifecycle?

- 1. Electrical and Electronic Equipment:** Products marked with the crossed-out wheeled bin symbol must not be disposed of with household waste. You can:
 - Take it to your local collection point for electrical and electronic equipment.
 - Use the “one-for-one” system (returning the old device when purchasing a new one, if available in your region).
- 2. Batteries and Accumulators:** If the product contains batteries, remove them before recycling and take them to designated battery collection points.
- 3. Packaging Materials:** Packaging, such as cardboard or plastic, should be sorted and placed in recycling bins.

Why is This Important?

Proper disposal of equipment and packaging materials:

- Protects the environment from harmful substances.
- Enables the recovery of valuable resources.
- Reduces the amount of waste sent to landfills.

Where to Find Information?

Information about waste collection points can be found on local authorities' websites or through your recycling service provider. If needed, contact our customer service team, who will gladly provide further details.

Thank you for your care for the environment and commitment to recycling!

Contact

expondo Polska sp. z o.o. sp. k.
ul. Nowy Kisielin – Innowacyjna 7
66-002 Zielona Góra | Poland, EU
info@expondo.com