

USER MANUAL

Bedienungsanleitung

Instrukcja obsługi

Návod k použití

Manuel d'utilisation

Istruzioni per l'uso

Manual de instrucciones

Használati útmutató Brugsanvisning

Käyttöohje

Gebruiksaanwijzing

Bruksanvisning

Instruções de utilização

Používateľská príručka

Ръководство за употреба

Οδηγίες χρήσης

Upute za uporabu

Naudojimo instrukcija

Manual de utilizare

Navodila za uporabo

INDUCTION COOKER



DE	Produktname	Induktionsherd
EN	Product name	Induction cooker
PL	Nazwa produktu	Kuchenka indukcyjna
CZ	Název výrobku	Indukční vařič
FR	Nom du produit	Cuisinière à induction
IT	Nome del prodotto	Fornello a induzione
ES	Nombre del producto	Cocina de inducción
HU	Termék neve	Indukciós főzőlap
DA	Produktnavn	Induktionskogeplade
FI	Tuotteen nimi	Induktioliesi
NL	Productnaam	Inductiekookplaat
NO	Produktnavn	Induksjonskomfyr
SE	Produktnamn	Induktionshäll
PT	Nome do produto	Fogão de indução
SK	Názov produktu	Indukčný varič
BG	Име на продукта	Индукционна печка
EL	Όνομα προϊόντος	Επαγωγικός μαγειρικός επιφάνειας
HR	Naziv proizvoda	Indukcijska kuhalna ploča
LT	Produkto pavadinimas	Indukcinė viryklė
RO	Numele produsului	Plită cu inducție
SL	Ime izdelka	Indukcijska kuhalna plošča
DE Modell EN Product model PL Model produktu CZ Model výrobku FR Modèle IT Modello ES Modelo HU Modell DA Model FI Tuotteen malli NL Productmodel NO Produktmodell SE Produktmodell PT Modelo do produto SK Model BG Модел на продукт EL Μοντέλο προϊόντος HR Model proizvoda LT : Gaminio modelis RO : Model de produs SL : Model izdelka		RCIC-6006T
DE Hersteller EN Manufacturer PL Producent CZ Výrobce FR Fabricant IT Produttore ES Fabricante HU Termelő DA Producent FI Valmistaja NL Producent NO Produsent SE Tillverkare PT Fabricante SK Výrobca BG Производител EL Κατασκευαστής HR Proizvođač LT Gamintojas RO Producător SL Proizvajalec		expondo Polska sp. z o.o. sp. k.
DE Anschrift des Herstellers EN Manufacturer Address PL Adres producenta CZ Adresa výrobce FR Adresse du fabricant IT Indirizzo del produttore ES Dirección del fabricante HU A gyártó címe DA Producentens adresse FI Valmistajan osoite NL Adres producent NO Produsentens adresse SE Tillverkarens adress PT Endereço do fabricante SK Adresa výrobci BG Адрес на производителя EL : Διεύθυνση κατασκευαστή HR Adresa proizvođača LT Gamintojo adresas RO Adresa producătorului SL Naslov proizvajalca		ul. Nowy Kisielin – Innowacyjna 7, 66-002 Zielona Góra Poland, EU



This User Manual has been translated using machine translation. We have made every effort to ensure the translation is accurate, but please note that automated translations are not perfect and are not meant to replace human translators. The official version of the User Manual is in English. Any differences between the translated version and the original English are not legally binding. If you have any questions about the accuracy of the translation, please refer to the English version, which is the official reference. More language versions are available upon request via info@expondo.com.

Technical data

Parameter description	Parameter value
Product name	Induction cooker
Model	RCIC-6006T
Rated voltage [V~, N] / frequency [Hz]	400, 3 / 50
Rated power [W]	6x 3500
Working frequency [kHz]	19-40

1. General description

The user manual is designed to assist in the safe and trouble-free use of the device. The product is designed and manufactured in accordance with strict technical guidelines, using state-of-the-art technologies and components. Additionally, it is produced in compliance with the most stringent quality standards.

DO NOT USE THE DEVICE UNLESS YOU HAVE THOROUGHLY READ AND UNDERSTOOD THIS USER MANUAL.

To increase the product life of the device and to ensure trouble-free operation, use it in accordance with this user manual and regularly perform maintenance tasks. The technical data and specifications in this user manual are up to date. The manufacturer reserves the right to make changes associated with quality improvement. The device is designed to reduce noise emission risks to a minimum, taking into account technological progress and noise reduction opportunities.

Legend



The product satisfies the relevant safety standards.



Read instructions before use.



The product must be recycled.



WARNING! or **CAUTION!** or **REMEMBER!** Applicable to the given situation.

(general warning sign)



ATTENTION! Electric shock warning!



ATTENTION! Hot surface, risk of burns!



Only use indoors.



ATTENTION! Non-ionizing electromagnetic radiation.



PLEASE NOTE! Drawings in this manual are for illustration purposes only and in some details may differ from the actual product.

2. Usage safety



ATTENTION! Read all safety warnings and all instructions. Failure to follow the warnings and instructions may result in electric shock, fire and/or serious injury or even death.

The terms "device" or "product" are used in the warnings and instructions to refer to:

Induction cooker.

Do not use in very humid environments or in the direct vicinity of water tanks.

Prevent the device from getting wet. Risk of electric shock!

Do not cover the ventilation openings!

2.1. Electrical safety

- a) The plug must fit the socket. Do not modify the plug in any way. Using original plugs and matching sockets reduces the risk of electric shock.
- b) Avoid touching earthed elements such as pipes, heaters, boilers and refrigerators. There is an increased risk of electric shock if the earthed device is exposed to rain, comes into direct contact with a wet surface or is operating in a damp environment. Water getting into the device increases the risk of damage to the device and of electric shock.
- c) Do not touch the device with wet or damp hands.
- d) Use the cable only for its designated use. Never use it to carry the device or to pull the plug out of a socket. Keep the cable away from heat sources, oil, sharp edges or moving parts. Damaged or tangled cables increase the risk of electric shock.
- e) If working with the device outdoors, make sure to use an extension cord suitable for outdoor use. Using an extension cord suitable for outdoor use reduces the risk of electric shock.
- f) If using the device in a damp environment cannot be avoided, a residual current device (RCD) should be applied. The use of an RCD reduces the risk of electric shock.
- g) Do not use the device if the power cord is damaged or shows obvious signs of wear. A damaged power cord should be replaced by a qualified electrician or the manufacturer's service centre.
- h) To avoid electric shock, do not immerse the cord, plug or device in water or other liquids. Do not use the device on wet surfaces.

2.2. Safety in the workplace

- a) Make sure the workplace is clean and well lit. A messy or poorly lit workplace may lead to accidents. Try to think ahead, observe what is going on and use common sense when working with the device.
- b) Do not use the device in a potentially explosive environment, for example in the presence of flammable liquids, gases or dust. The device generates sparks which may ignite dust or fumes.
- c) If you discover damage or irregular operation, immediately switch the device off and report it to a supervisor without delay.
- d) If there are any doubts as to the correct operation of the device, contact the manufacturer's support service.
- e) Only the manufacturer's service point may repair the device. Do not attempt any repairs independently!
- f) In case of fire, use a powder or carbon dioxide (CO₂) fire extinguisher (one intended for use on live electrical devices) to put it out.
- g) Children or unauthorised persons are forbidden to enter a work station. (A distraction may result in loss of control over the device)
- h) Please keep this manual available for future reference. If this device is passed on to a third party, the manual must be passed on with it.
- i) Keep packaging elements and small assembly parts in a place not available to children.
- j) Keep the device away from children and animals.



Remember! When using the device, protect children and other bystanders.

2.3. Personal safety

- a) Do not use the device when tired, ill or under the influence of alcohol, narcotics or medication which can significantly impair the ability to operate the device.
- b) The device is not designed to be handled by persons (including children) with limited mental and sensory functions or persons lacking relevant experience and/or knowledge unless they are supervised by a person responsible for their safety or they have received instruction on how to operate the device.
- c) Do not overestimate your abilities. When using the device, keep your balance and remain stable at all times. This will ensure better control over the device in unexpected situations.
- d) The device is not a toy. Children must be supervised to ensure that they do not play with the device.

2.4. Safe device use

- a) Do not use the device if the ON/OFF switch does not function properly (does not switch the device on and off). Devices which cannot be switched on and off using the ON/OFF switch are hazardous, should not be operated and must be repaired.
- b) Disconnect the device from the power supply before commencement of adjustment, cleaning and maintenance. Such a preventive measure reduces the risk of accidental activation.
- c) When not in use, store in a safe place, away from children and people not familiar with the device who have not read the user manual. The device may pose a hazard in the hands of inexperienced users.
- d) Keep the device in perfect technical condition. If damage is discovered, hand over the device for repair before use.
- e) Keep the device out of the reach of children.

- f) Device repair or maintenance should be carried out by qualified persons, only using original spare parts. This will ensure safe use.
- g) To ensure the operational integrity of the device, do not remove factory-fitted guards and do not loosen any screws.
- h) Do not move, adjust or rotate the device in the course of work.
- i) Do not leave this appliance unattended while it is in use.
- j) Clean the device regularly to prevent stubborn grime from accumulating.
- k) The device is not a toy. Cleaning and maintenance may not be carried out by children without supervision by an adult person.
- l) It is forbidden to interfere with the structure of the device in order to change its parameters or construction.
- m) Note! If you notice scratches or cracks on the glass hob, stop using the device immediately and disconnect it from the power source.
- n) Keep aluminium foil and plastic dishes away from the hob.
- o) Do not store objects on the surface of the device.
- p) Dimensions of the cookware placed on the hob should be in the range of $\varnothing 12$ - $\varnothing 26$ cm.
- q) The weight of the dish with the contents placed on the hob should not exceed 30-40kg.
- r) Do not place metal cookware, cutlery, etc. near the hob, as they may get hot and cause skin burns.
- s) Note: rings, watches, chains etc. and other metal objects may get hot in the vicinity of the device which has been switched on.
- t) Do not heat empty cookware on the hob.
- u) The device should be used on a heat-resistant surface.
- v) Note: The hob remains hot for a long time after the power is turned off. Touching a hot hob will cause burns to the skin.
- w) Do not use the cooker in the vicinity of devices susceptible to electromagnetic radiation.
- x) Only use cookware designed for use with induction cookers.
- y) Do not place the device on metal surfaces.



ATTENTION! Despite the safe design of the device and its protective features, and despite the use of additional elements protecting the operator, there is still a slight risk of accident or injury when using the device. Stay alert and use common sense when using the device.

3. Use guidelines

The device is designed for heating and cooking dishes and liquids in cookware intended for use with induction cookers.

The product is intended for commercial use

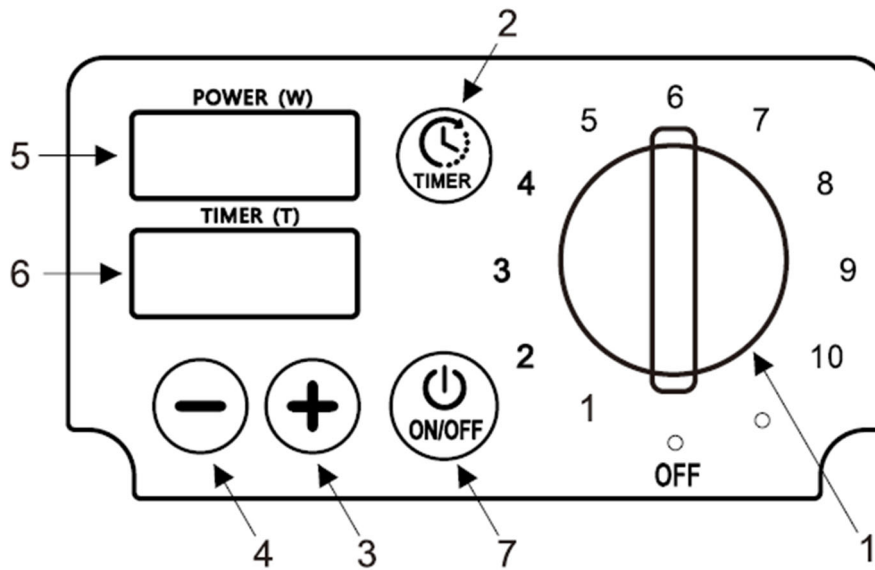
The user is liable for any damage resulting from unintended use of the device.

3.1. Device description

OVERVIEW



CONTROL PANEL



1. Power Regulator Rotary Knob
2. Timer Function
3. "+" Increase Button
4. "-" Decrease Button
5. LED Display for Power
6. LED Display for Timer
7. Power ON/OFF Key

3.2. Preparing for use

APPLIANCE LOCATION

The temperature of environment must not be higher than 40°C and the relative humidity should be less than 85%. Ensure good ventilation in the room in which the device is being used. There should be at least 10 cm distance between each side of the device and the wall or other objects. The device should always be used when positioned on an even, stable, clean, fireproof and dry surface, and be out of the reach of children and persons with limited mental and sensory functions. Position the device such that you always

have access to the power plug. The power cord connected to the appliance must be properly grounded and correspond to the technical details on the product label!

USE OF DETACHABLE POWER-SUPPLY CORDS OR EXTENSION CORDS

1. Longer detachable power-supply cords or extension cords are available and may be used with caution.
2. When using a longer detachable power-supply cord or extension cord:
 - Ensure that the electrical rating of the cord set or extension cord is at least equal to or greater than the electrical rating of the appliance.
 - Arrange the cord to prevent it from draping over the countertop or tabletop, reducing the risk of accidental pulling by children or tripping.
 - If the appliance requires grounding, use a grounding-type 3-wire cord set or extension cord.

3.3. Assembling the device



NOTICE! Electrical installation requirements:

- Installation responsibility lies with the owner and installer, ensuring compliance with local electrical codes.
- Read all installation instructions carefully before starting.
- Remove packaging and accessories before installation.
- Compliance with all electrical codes (federal, state, local) is mandatory.
- A dedicated electrical circuit is recommended for each cooktop; circuits should not be shared with other equipment.

1. Spacing Requirements:

- Maintain a minimum clearance of 4" (101.6mm) around the unit.
- Drop-in/built-in units require 6" (152mm) of open space below for airflow.
 - Openings must allow cool air to reach the intake vents.
 - Blocking the air intake/exhaust can cause overheating and error codes.
 - The 6" (152mm) clearance can be reduced with additional fans/ducting.
- **Avoid placing near:**
 - Equipment generating excessive heat/grease-laden vapors (e.g., griddles, fryers).
 - Items producing excessive steam (e.g., pasta cookers, steam baths, dishwashers).

2. Electrical Requirements:

- Always use a dedicated electrical circuit for the cooktop.
- Do not extend, modify, or use power strips for the power cord.

3. General Maintenance:

- Regularly check for debris buildup around intake/exhaust vents.

- If debris accumulates in the vents:
 - Disconnect the circuit breaker.
 - Clean with a dry brush and cloth to maintain proper airflow.

4. **Airflow and Ambient Temperature:**

- Avoid operating in temperatures exceeding 50°C (122°F).

5. **General Safety:**

- Never leave an empty pan on the unit.
- Always disconnect the circuit breaker when not in use.

3.4. Device use

BEFORE USE

1. **Recommended Cookware:**

- Use cast iron / SS430 / SS409 pans or food-grade pots with magnetic properties.
- The bottom heating area diameter should be more than 12 cm (4.5 inches).

2. **Unsuitable Cookware:**

- Ceramic (without special coating), glass, copper, bronze, aluminum-bottom cookware.
- Pans with feet, flat trays.

3. **Preparation Guidelines:**

- Set the cooktop on a flat surface, maintaining at least 4 inches of clearance on all sides.
- Do not block air inlets or outlets; this may cause overheating and automatic shutdown.
- Keep away from water sources. The cooktop will not function if the air inlet/outlet is wet.
- Keep away from gas ranges or coal oil stoves. Excessive surrounding heat may cause it to stop working.
- Avoid placing the cooktop near credit cards, discs, watches, or radios.

OPERATION INSTRUCTIONS

The product has two different cooking modes: Power Mode and Timer Mode. Professional cooks will appreciate the special features and advantages of each mode.



NOTICE!

- Do not place sealed cans on the cooktop (risk of explosion).
- Do not place paper or cloth between cookware and cooktop (risk of overheating).
- Overcooked food or empty pans left too long on the cooktop may be damaged.

1. **Cooking By Power (Wattage) Mode**

General Operation:

- The unit operates on 400V, with a max power of 3500W per zone.
- Voltage below 400V may result in lower power and slower heating.
- Important: Each cooktop should have an independent dedicated circuit.
- Use Power mode when high-intensity heat or quick temperature changes are required.

Operation:

- 1) Press the 'ON/OFF' button and turn the control knob to power on.
- 2) Adjust the control knob to the desired power level, shown on the LED display.
- 3) To turn off:
 - Rotate the knob to 'OFF' until it beeps.
 - The LED display will show '----'.
 - Press the 'ON/OFF' button and disconnect the circuit breaker.

2. Cooking In Timer Mode**Operation:**

- 1) Press the 'ON/OFF' button and turn the control knob to power on.
- 2) Press the Timer Mode button (0 - 23:59 hours).
- 3) Use '+' or '-' buttons:
 - Short press: Adjust in 1-minute increments (00:00-00:59 min).
 - Long press: Adjust in 5-minute increments.
 - When minutes are displayed, they flash as '00:00'.
 - Press the Timer button again to switch to hour adjustments (0-23:59 hrs).
 - The hour display flashes as '00:00'.
- 4) To turn off:
 - Rotate the knob to 'OFF'.
 - Press the 'ON/OFF' button.
 - Disconnect the circuit breaker.

3.5. Cleaning and maintenance

- a) Unplug the mains plug and allow the device to cool completely before each cleaning, adjustment or replacement of accessories, or if the device is not being used.
- b) Use only non-corrosive cleaners to clean the surface.
- c) After cleaning the device, all parts should be dried completely before using it again.
- d) Store the unit in a dry, cool place, free from moisture and direct exposure to sunlight.
- e) Do not spray the device with a water jet or submerge it in water.
- f) Do not allow water to get inside the device through vents in the housing of the device.
- g) Clean the vents with a brush and compressed air.

- h) The device must be regularly inspected to check its technical efficiency and spot any damage.
- i) Use a soft, damp cloth for cleaning.
- j) Do not use sharp and/or metal objects for cleaning (e.g. a wire brush or a metal spatula) because they may damage the surface material of the appliance.
- k) Do not clean the device with an acidic substance, agents of medical purposes, thinners, fuel, oils or other chemical substances because it may damage the device.

NOTE ON RADIO FREQUENCY INTERFERENCE

This equipment generates, uses, and radiates radio frequency energy. If not installed properly, it may cause radio interference. No guarantee that interference won't occur in certain installations. If interference happens, try these solutions:

- Reorient or relocate the receiving antenna.
- Increase the separation between the equipment and receiver.
- Plug the unit into a separate outlet from the receiver.
- Consult a technician for additional help.
- Unauthorized modifications may void user rights to operate the equipment.

DISPOSING OF USED DEVICES

Do not dispose of this device in municipal waste systems. Hand it over to an electric and electrical device recycling and collection point. Check the symbol on the product, instruction manual and packaging. The plastics used to construct the device can be recycled in accordance with their markings. By choosing to recycle you are making a significant contribution to the protection of our environment.

Contact local authorities for information on your local recycling facility.

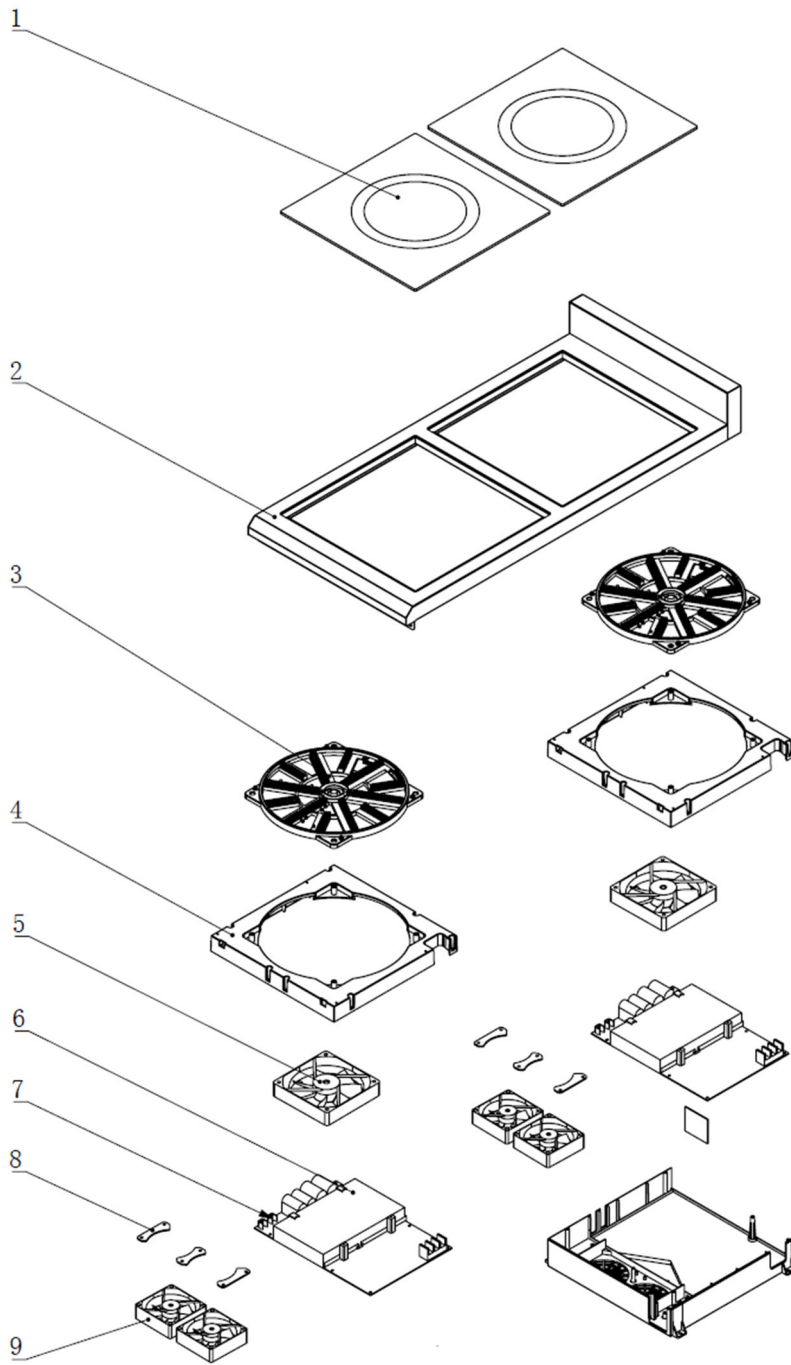
TROUBLESHOOTING

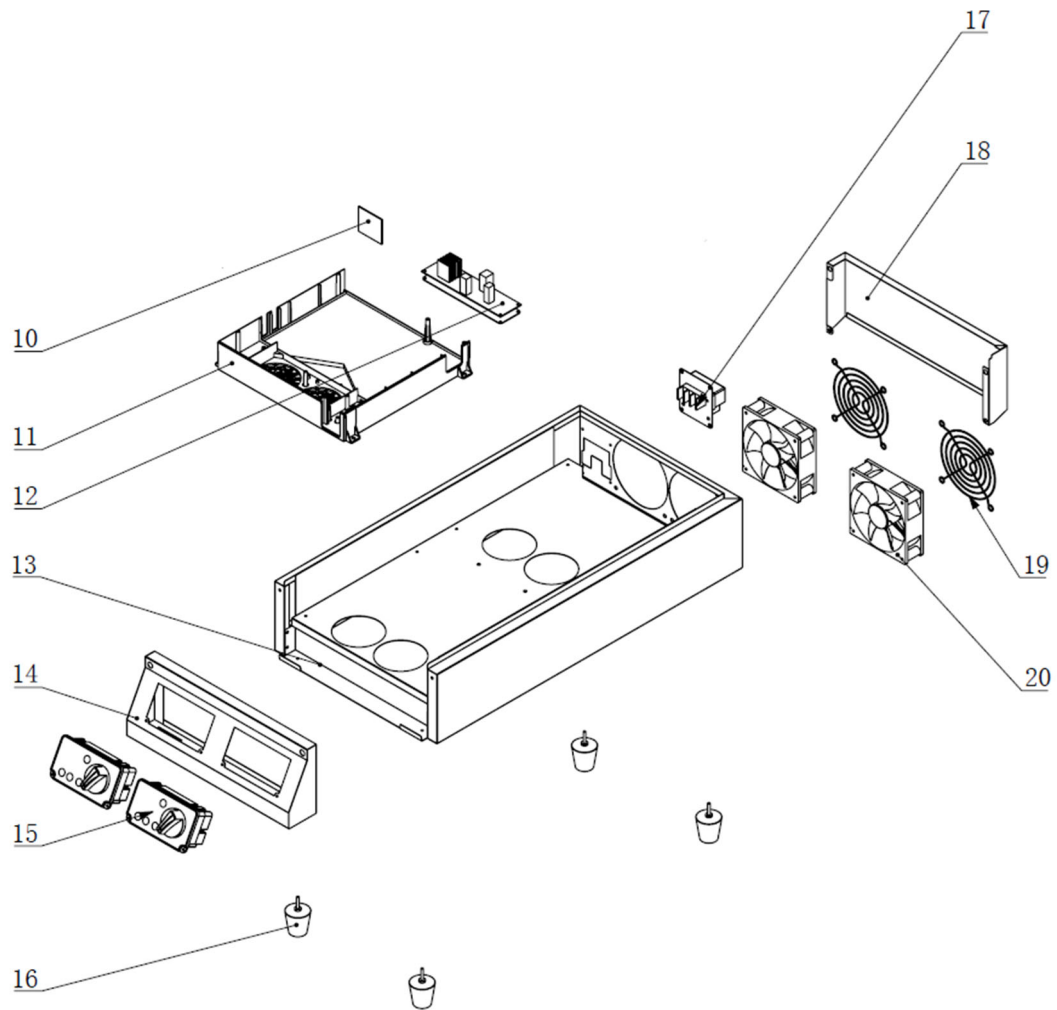
If the LED displays EC/E16, E0, E4, E7, E8, or E9, the unit needs to be sent for service.

Error	Error Code	Failure Analysis
Main board cannot connect with control panel	EC/E16	Check wire connection between the main PCB and display control board.
Circuit failure	E0	Check if the coil is open circuit.
Empty Pan Protection	E1	Ensure the pan is placed correctly and is induction-compatible.
Low Voltage Protection	E2	Check if voltage is too low.
High Voltage Protection	E3	Check if voltage is too high.
Temperature sensor open circuit	E4	Check if the temperature sensor is broken, unplugged, or open circuit.
Temperature sensor short circuit	E4	Inspect if the insulation on the sensor is damaged, or if metal wiring is exposed. Check the outlet.
IGBT sensor open circuit	E7	Check if the IGBT sensor wiring is broken, unplugged,

		or open circuit.
IGBT sensor short circuit	E7	Inspect if the sensor insulation is damaged, or if metal wiring is exposed. Check the outlet.
Temperature sensor overheat	E8	Ensure the oil container has liquid and that the coil is not blocked.
IGBT sensor overheat	E9	Check if the fan is broken or the air inlet is blocked, leading to poor heat dissipation.

3.6. Parts list





1. Crystal Plate
2. Induction Cooker Countertop
3. 235 Wire Reel
4. Upper Cover of Core Unit
5. Core Unit Heat Sink Fan
6. Core Unit Heat Sink
7. Core Unit Mainboard
8. Core Unit Fan Pressing Plate
9. Core Unit Intake Fan
10. Terminal Board
11. Lower Part of Core Unit
12. Power Board
13. Induction Cooker Body
14. Control Panel
15. Control Box

16. Cooker Feet
17. Terminal Block
18. Waterproof Cover
19. Ventilation Net
20. Exhaust Fan

UMWELT – UND ENTSORGUNGSHINWEISE

Hersteller an Verbraucher

Sehr geehrte Damen und Herren,

gebrauchte Elektro – und Elektronikgeräte dürfen gemäß europäischer Vorgaben [1] nicht zum unsortierten Siedlungsabfall gegeben werden, sondern müssen getrennt erfasst werden. Das Symbol der Abfalltonne auf Rädern weist auf die Notwendigkeit der getrennten Sammlung hin. Helfen auch Sie mit beim Umweltschutz. Sorgen Sie dafür, dieses Gerät, wenn Sie es nicht mehr weiter nutzen wollen, in die hierfür vorgesehenen Systeme der Getrenntsammlung zu geben.



In Deutschland sind Sie gesetzlich [2] verpflichtet, ein Altgerät einer vom unsortierten Siedlungsabfall getrennten Erfassung zuzuführen. Die öffentlich – rechtlichen Entsorgungsträger (Kommunen) haben hierzu Sammelstellen eingerichtet, an denen Altgeräte aus privaten Haushalten ihres Gebietes für Sie kostenfrei entgegengenommen werden. Möglicherweise holen die rechtlichen Entsorgungsträger die Altgeräte auch bei den privaten Haushalten ab.

Bitte informieren Sie sich über Ihren lokalen Abfallkalender oder bei Ihrer Stadt – oder Gemeindeverwaltung über die in Ihrem Gebiet zur Verfügung stehenden Möglichkeiten der Rückgabe oder Sammlung von Altgeräten.

[1] RICHTLINIE 2002/96/EG DES EUROPÄISCHEN PARLAMENTS UND DES RATES
ÜBER ELEKTRO – UND ELEKTRONIK – ALTGERÄTE

[2] Gesetz über das Inverkehrbringen, die Rücknahme und die umweltverträgliche Entsorgung
von Elektro – und Elektronikgeräten (Elektro – und Elektronikgerätegesetz – ElektroG).

Utylizacja produktu

Produkty elektryczne i elektroniczne po zakończeniu okresu eksploatacji wymagają segregacji i oddania ich do wyznaczonego punktu odbioru. Nie wolno wyrzucać produktów elektrycznych razem z odpadami gospodarstwa domowego. Zgodnie z dyrektywą WEEE 2012/19/UE obowiązującą w Unii Europejskiej, urządzenia elektryczne i elektroniczne wymagają segregacji i utylizacji w wyznaczonych miejscach. Dbając o prawidłową utylizację, przyczyniasz się do ochrony zasobów naturalnych i zmniejszasz negatywny wpływ oddziaływania na środowisko, człowieka i otoczenie. Zgodnie z krajowym prawodawstwem, nieprawidłowe usuwanie odpadów elektrycznych i elektronicznych może być karane!

For the disposal of the device please consider and act according to the national and local rules and regulations.

CONTACT

expondo Polska sp. z o.o. sp. k.

ul. Nowy Kisielin – Innowacyjna 7
66-002 Zielona Góra | Poland, EU

e-mail: info@expondo.com